

Cree® CXB Series

LED Low-Bay/High-Bay Luminaire



THE LOW-BAY/HIGH-BAY LUMINAIRE WITH THE HIGHEST LUMENS PER EURO AVAILABLE TODAY

Exceptional Performance

Cree does it again with the CXB Series, which can replace up to 250W and 400W HID low-bay and high-bay fixtures at the highest lumens per euro among competing LED luminaires available today. And it's priced to enable payback at less than 3 years.

Versatile Design & Aesthetics

With a compact, lightweight construction, you have your choice of aluminum, clear and white acrylic reflectors with optional bottom lenses — making the CXB Series ideal for education, grocery, sport and industrial applications.

Flexible Mounting Options

Weighing 50% less than traditional metal halide high- and low-bay luminaires and available in traditional mounting options, the CXB Series offers a quick and easy installation for seamless upgrade and new construction opportunities.

CREE 

CXB SERIES LED LOW-BAY/HIGH-BAY LUMINAIRE

At Cree, we're redefining low/high-bay LED performance. With multiple lumen packages, reflectors and lenses, designing the ideal solution for your application is quick and easy. Exceptional rated lifetimes, zero restrike time and compact lightweight construction allow you to put the CXB Series in the ceiling and forget about it – making it ideal for grocery, sport, industrial, retail, manufacturing and warehouse applications.

PERFORMANCE SUMMARY

Delivered Light Output: 20,000 or 26,000 median lumens

Input Power: 155 or 230 watts

CRI: 80

CCT: 4000K; 5700K

Input Voltage: 220-240 VAC

Surge : 220-240 VAC

Limited Warranty*: 10 years on luminaire

Controls: ADIM (1-10V) Dimming to 5%

Mounting: J-box, pendant, hook or eye mount

Weight: Maximum 6.4 kg

* See www.cree.com/lighting/products/warranty for warranty terms

CONSTRUCTION & MATERIALS

Die-cast aluminum heatsink

Low-profile, lightweight design provides ease of installation

Mounting choices of direct, pendant and hook or eye mount

HH Mount is provided with spring lock hook for mounting

Factory calibrated to hang straight

OPTICAL SYSTEM



Acrylic Clear
Conical Bottom Lens



Acrylic Clear
Prismatic Drop Lens



Wire Guard

OPTICAL SYSTEM



Clear Acrylic Reflector

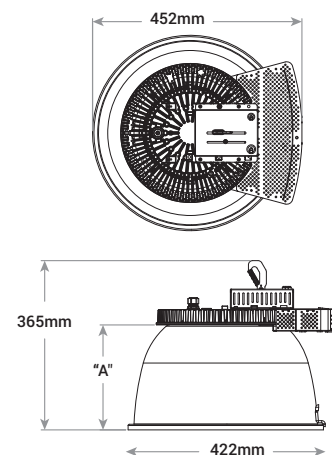


White Acrylic Reflector



Anodized Matte
Aluminum Reflector

DIMENSIONS



Visit www.cree-europe.com or contact a Cree lighting representative to learn more

info.europe@cree.com

© 2018 Cree, Inc. All rights reserved. For informational purposes only. Not a warranty or specification. See www.cree.com/lighting for warranty and specifications. Cree® and the Cree logo are registered trademarks of Cree Inc.

